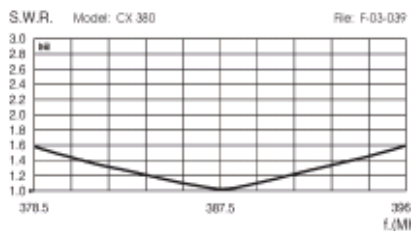
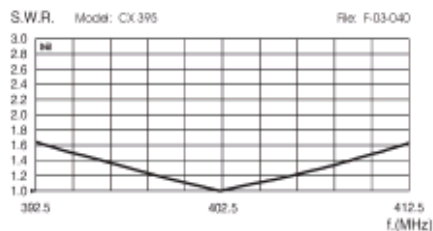


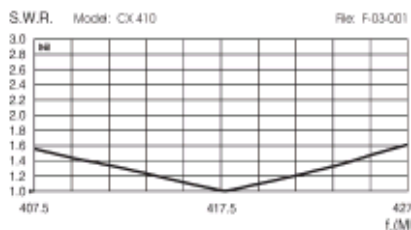
TYPICAL S.W.R. RESPONSE



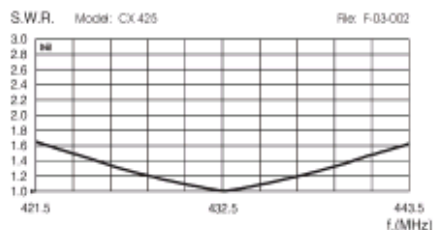
TYPICAL S.W.R. RESPONSE



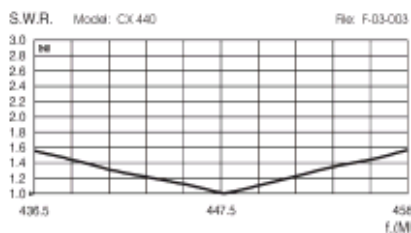
TYPICAL S.W.R. RESPONSE



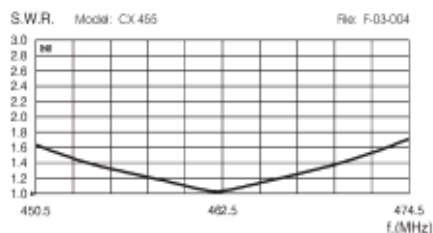
TYPICAL S.W.R. RESPONSE



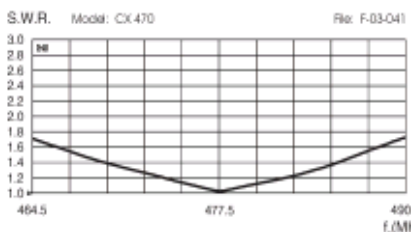
TYPICAL S.W.R. RESPONSE



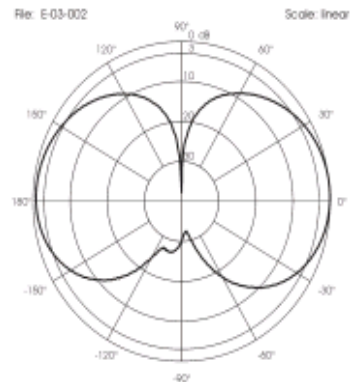
TYPICAL S.W.R. RESPONSE



TYPICAL S.W.R. RESPONSE



TYPICAL RADIATION PATTERN in E-plane at mid-band



# CX 70cm series

## UHF Base Station Antennas 380-485 MHz



## Installation Manual

## DESCRIPTION

3/4  $\lambda$  UHF antennas for base station service made of hi-quality materials to get the maximum efficiency and the best performance. It is completely manufactured with aluminium tubes and nylon for its great robustness and it is supplied with a solid steel bracket for an easy and safe installation everywhere. Its Gamma Match feed makes it earthed for a perfect protection against the discharges. In the mentioned range of frequencies, no adjustments are required. Simple and strong it is particularly recommended for a professional use.

## SPECIFICATIONS

### Electrical Data

Type : 3/4  $\lambda$  Coax. J-Pole

Frequency Range @ SWR  $\leq$  1.5 : CX 440 440 - 455 MHz

Impedance : 50  $\Omega$  Unbalanced

Radiation (H-Plane) : 360° Omnidirectional

Radiation (E-Plane) : Beamwidth at -3 dB = 60°

Polarization : Vertical

Gain : 2 dBd - 4.15 dBi

Bandwidth @ SWR 2.0 : CX 440  $\geq$  33.5 MHz, CX 455  $\geq$  32 MHz

SWR @ res. freq. :  $\leq$  1.2

Max Power : 200 Watts

Feed System / Position : Gamma Match / Base

Connector : N-Female

### Mechanical Data

Materials : Nylon, Brass, Steel, Aluminium

Wind Load / Resistance : 25 N at 150 Km/h / 180 Km/h

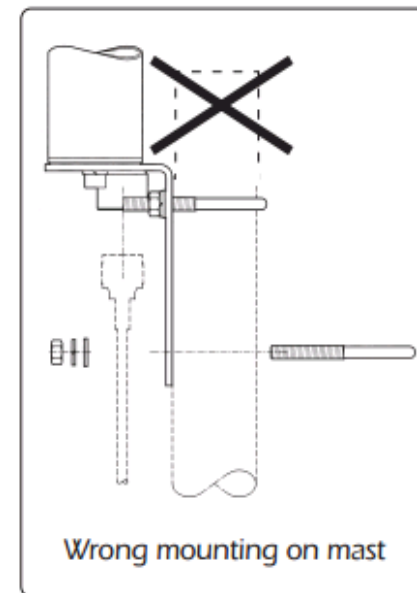
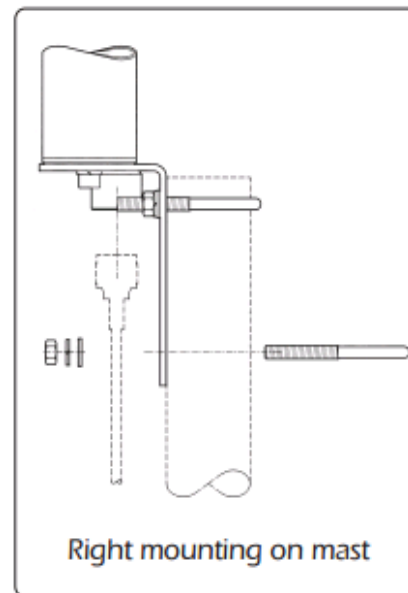
Wind Surface : 0.02 m<sup>2</sup>

Height (approx.) : from 558 mm to 665 mm

Weight (approx.) : 450 gr

Mounting Mast :  $\varnothing$  35-42 mm

## MOUNTING INSTRUCTIONS



### HARDWARE PARTS LIST

Qty	Descriptions
n.2	U-bolts
n.4	M6 flat washer
n.4	M6 lock washer
n.4	M6 hex nut



**SIRIO**  
antenne

HI-QUALITY ANTENNAS MADE IN ITALY